

PUMPS 2000 38mm (1½")



FROM
11.5kg



100% AUSTRALIAN
Designed, owned & made

- **Lightweight**
- **No Lubrication Required**
- **Low Air Consumption**
- **Long Lasting Plastic Parts**
- **Self Priming**
- **Height Suction Lift**
- **Quick & Easy Clamp Assembly**
- **Tuff-poly : Withstand Impacts**

Air Operated Double Diaphragm Pumps

Developed for tough Australian mining conditions where performance and reliability are paramount in everyday operations. The lightweight feature of Pumps 2000 provides ease of mobility and reduces the risk of injury.

Low air consumption and long lasting lubrication free parts means low cost running and reduced maintenance.

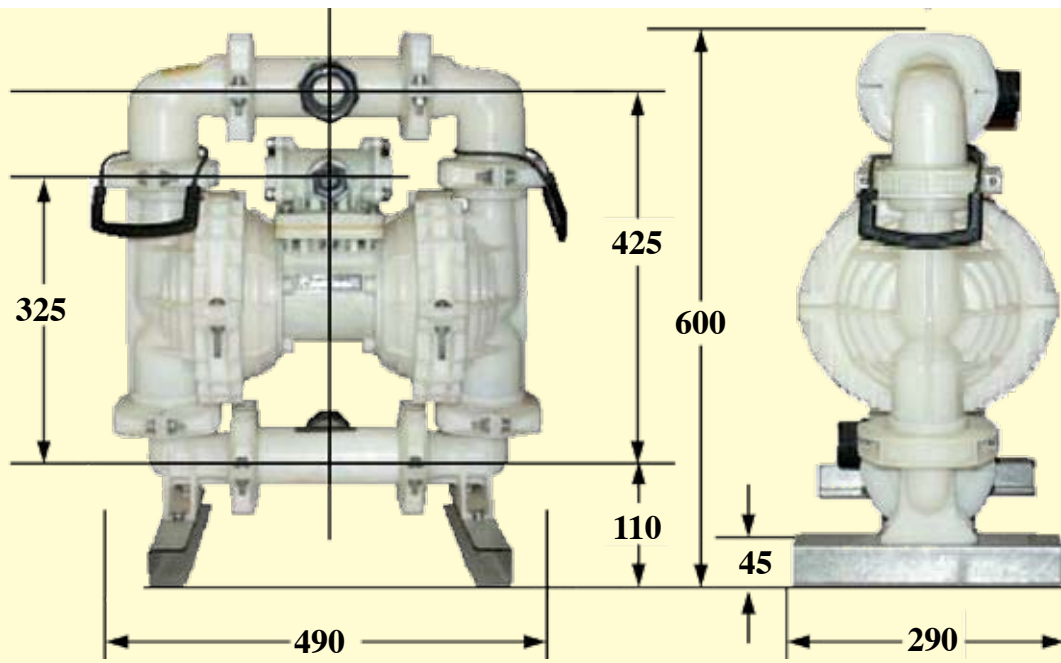
Pumps 2000 air operated double diaphragm pumps are suitable for all applications in all industries. Contact us for our assistance.

RFG Sales & Spares Pty Ltd



"We service what we sell"

24C Besser Crescent, Camdale, Tasmania. 7320. P: 6435 1544 • F: 6435 2959 • E: rfgsales@bigpond.com • www.rfgsales.com.au



38mm PUMPS 2000 Materials and Construction

CONDUCTIVE PLASTIC (FRAS)

TUFF-POLY (POLYPROPYLENE)

HYTREL OR SANTOPRENE

BUNA N OR VITON/TEFLON

STAINLESS STEEL

Flow Rate - 0 - 80 GPM (300 LPM)

Air Consumption - Max. 55 CFM

Maximum Vertical Lift - Recommended 50m

Port Size - 1 1/2" Female BSP

Air Inlet Connection - 1" BSP

Air Exhaust Connection - 3/4" BSP

Suction Lift - 8m Wet Or Dry

Maximum Particle Size - 12mm Spherical

Shipping Mass - 14-18kg

■ = AIR PRESSURE IN PSL ■ = AIR CONSUMPTION IN CFM

